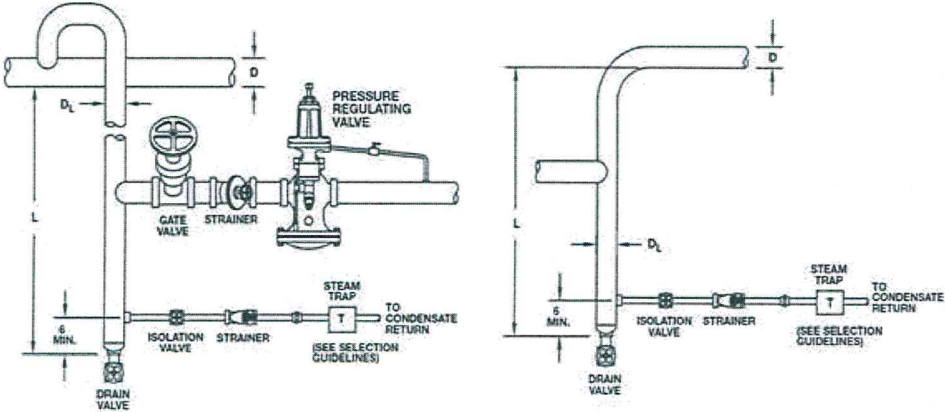


Installing Steam Traps

PROPER DRIP LEG LOCATION & SIZING



2. Length of Drip Leg
1 ½ times the Diameter of the
Distribution Line
Never less than 18"